

CHOMERICS

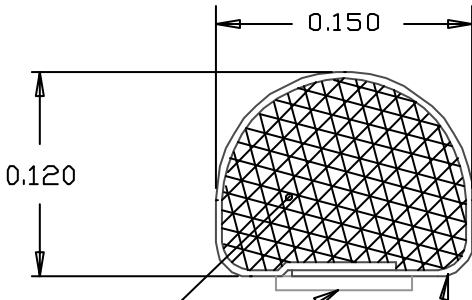
Division of Parker Seal Group

Title

SOFT-SHIELD 5000

Drawing No.

82-XXX-74013-09600



POLYURETHANE FOAM

RAD TYP

0.070" ± 0.010 PSA