

THIS DRAWING AND INFORMATION CONTAINED HEREON ARE THE PROPERTY OF CHOMERICS, AND MUST NOT BE COPIED OR DISCLOSED EITHER WHOLLY OR IN PART WITHOUT WRITTEN PERMISSION OF CHOMERICS.

This design/proposal is provided subject to Chomerics Offer of Sales Terms and Conditions, which are available on line at [www.chomerics.com/salesterms/](http://www.chomerics.com/salesterms/) or can be provided by your Chomerics representative."

ECN NO.

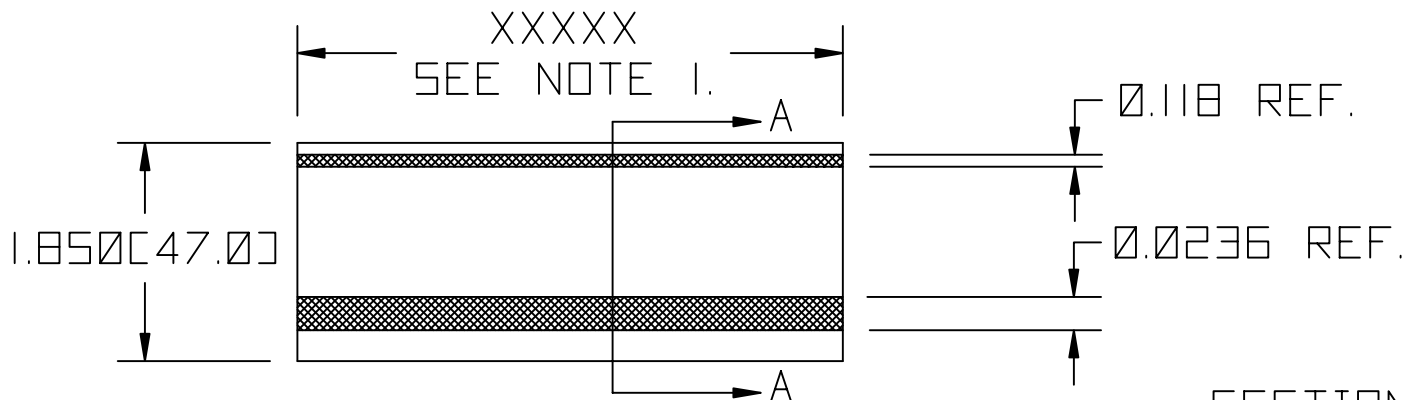
REV

REVISION

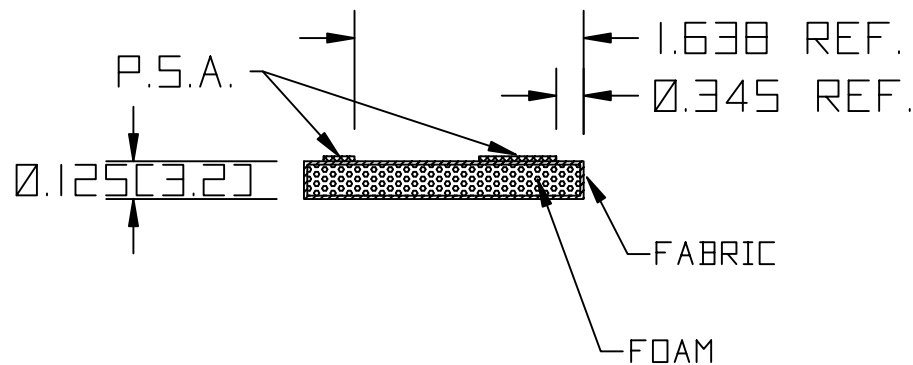
BY

ENG.

DATE



SECTION A-A  
ENLARGED



NOTE:

1. UNLESS SPECIFIED CHOMERICS STANDARD CUT TO LENGTH TOLERANCES APPLY.
2. UNLESS SPECIFIED PRESSURE SENSITIVE ADHESIVE (P.S.A.) TO BE 3M 950 OR EQUIVALENT.
3. SEE CHOMERICS 553500 TECHNICAL DATA SHEET FOR PRODUCT SPECIFICATIONS.

UNLESS OTHERWISE SPECIFIED, ALL DIMENSIONS ARE IN INCHES (MILLIMETERS).

DO NOT SCALE PRINT	
TOLERANCES UNLESS SPECIFIED	
FRACTIONAL	
2 DIGIT DECIMAL±	.05
3 DIGIT DECIMAL±	.020
ANGULAR	.5°
SCALE	NONE
SUPERSEDES	
DRAWN BY W.A.R. 8/20/03	
APPROVAL	
APPROVAL	

CHOMERICS   
A Division of Parker Hannifin  
COMPUTER GENERATED DRAWING DO NOT MAKE MANUAL CHANGES

TITLE  
PART DRAWING

DRAWING NO.  
77-XX-3439-XXXXX

CUSTOMER NAME:  
TOOLING: