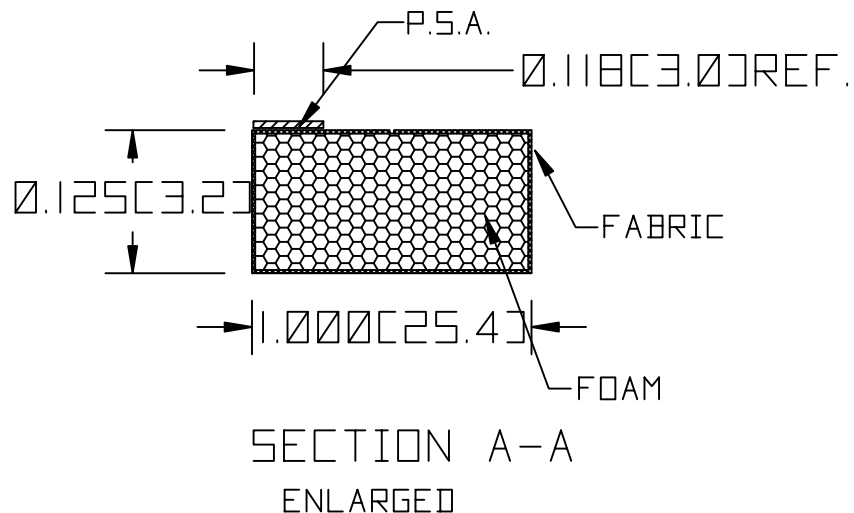
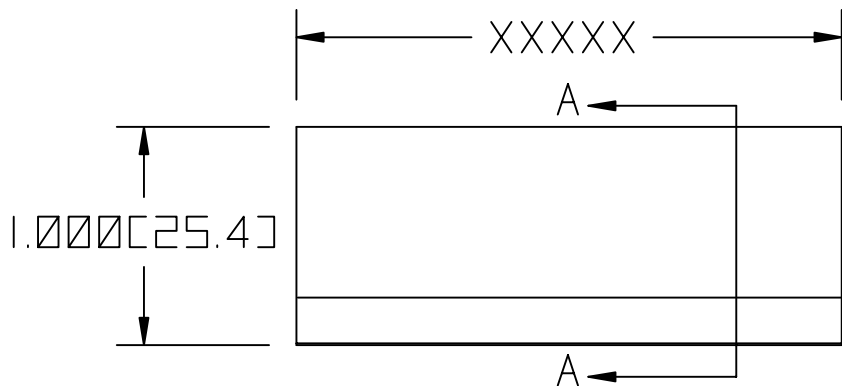


THIS DRAWING AND INFORMATION CONTAINED HEREON ARE THE PROPERTY OF CHOMERICS, AND MUST NOT BE COPIED OR DISCLOSED EITHER WHOLLY OR IN PART WITHOUT WRITTEN PERMISSION OF CHOMERICS.

This design/proposal is provided subject to Chomerics Offer of Sales Terms and Conditions, which are available on line at www.chomerics.com/salesterms/ or can be provided by your Chomerics representative."


ECN NO.	REV	REVISION	BY	ENG.	DATE
H05029	A	CHANGED P.S.A. DIMENSION	WR	WR	3/29/05
H05069	B	UPDATE	WR	WR	7/24/06



NOTE:

- UNLESS SPECIFIED CHOMERICS STANDARD CUT TO LENGTH TOLERANCES APPLY.
- UNLESS SPECIFIED PRESSURE SENSITIVE ADHESIVE (P.S.A.) TO BE 3M 950 OR EQUIVALENT.
- SEE CHOMERICS 553500 TECHNICAL DATA SHEET FOR PRODUCT SPECIFICATIONS.

UNLESS OTHERWISE SPECIFIED, ALL DIMENSIONS ARE IN INCHES [MILLIMETERS].

DO NOT SCALE PRINT	 A Division of Parker Hannifin COMPUTER GENERATED DRAWING DO NOT MAKE MANUAL CHANGES
TOLERANCES UNLESS SPECIFIED FRACTIONAL 2 DIGIT DECIMAL ± .05 3 DIGIT DECIMAL ± .020 ANGULAR .5°	
SCALE NONE	TITLE
SUPERSEDES	PART DRAWING
DRAWN BY W.A.R. 9/17/03	DRAWING NO.
APPROVAL	77-XX-3421-XXXXX
APPROVAL	