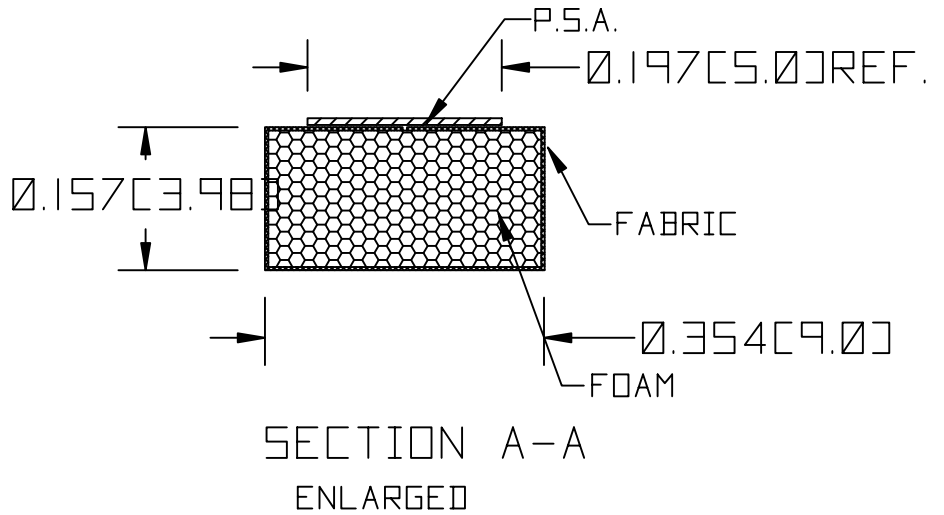
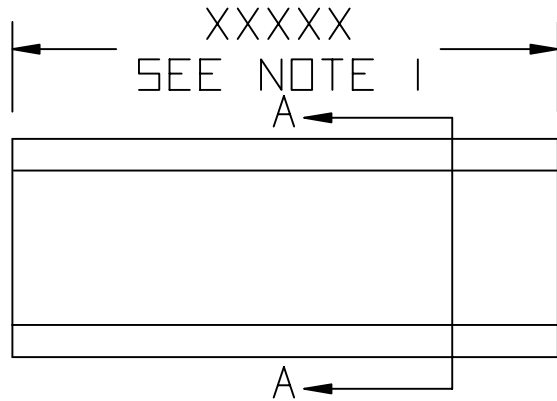


| | | | | | |
|---------|-----|----------|----|------|----------|
| ECN NO. | REV | REVISION | BY | ENG. | DATE |
| H05069 | A | UPDATE | WR | WR | 11/14/05 |

THIS DRAWING AND INFORMATION CONTAINED HEREON ARE THE PROPERTY OF CHOMERICS, AND MUST NOT BE COPIED OR DISCLOSED EITHER WHOLLY OR IN PART WITHOUT WRITTEN PERMISSION OF CHOMERICS.

This design/proposal is provided subject to Chomerics Offer of Sales Terms and Conditions, which are available on line at www.chomerics.com/salesterms/ or can be provided by your Chomerics representative."



NOTE:

- UNLESS SPECIFIED CHOMERICS STANDARD CUT TO LENGTH TOLERANCES APPLY.
- UNLESS SPECIFIED PRESSURE SENSITIVE ADHESIVE (P.S.A.) TO BE 3M 950 OR EQUIVALENT.
- SEE CHOMERICS 553500 TECHNICAL DATA SHEET FOR PRODUCT SPECIFICATIONS.

UNLESS OTHERWISE SPECIFIED, ALL DIMENSIONS ARE IN INCHES [MILLIMETERS].

| |
|---|
| DO NOT SCALE PRINT |
| TOLERANCES UNLESS SPECIFIED FRACTIONAL 2 DIGIT DECIMAL ± .05 3 DIGIT DECIMAL ± .020 ANGULAR .5° |
| SCALE NONE |
| SUPERSEDES |
| DRAWN BY W.A.R. 10/7/04 |
| APPROVAL |
| APPROVAL |

| |
|--|
| <p>CHOMERICS</p> <p>A Division of Parker Hannifin</p> <p>COMPUTER GENERATED DRAWING DO NOT MAKE MANUAL CHANGES</p> |
| <p>TITLE</p> <p>PART DRAWING</p> |
| <p>DRAWING NO.</p> <p>77-XX-3318-XXXXXX</p> |

CUSTOMER NAME:
TOOLING: