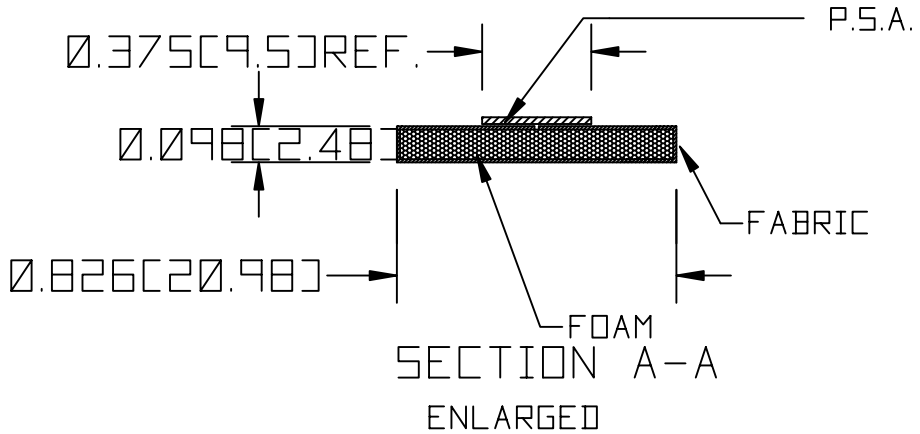
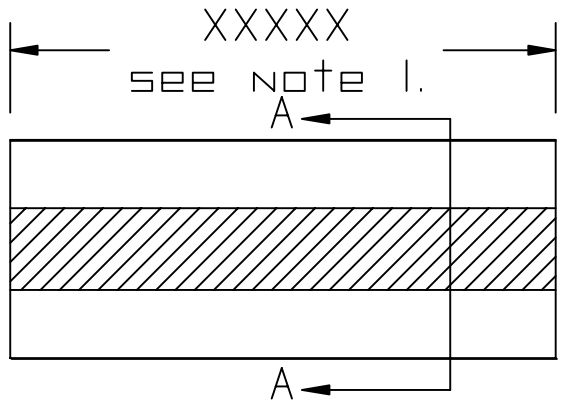


THIS DRAWING AND INFORMATION CONTAINED HEREON ARE THE PROPERTY OF CHOMERICS, AND MUST NOT BE COPIED OR DISCLOSED EITHER WHOLLY OR IN PART WITHOUT WRITTEN PERMISSION OF CHOMERICS.

This design/proposal is provided subject to Chomerics Offer of Sales Terms and Conditions, which are available on line at [www.chomerics.com/salesterms/](http://www.chomerics.com/salesterms/) or can be provided by your Chomerics representative."

ECN NO.	REV	REVISION	BY	ENG.	DATE
	-	initial release	wr	wr	5/9/05
H05042	A	CHANGE TO .375 P.S.A.	WAR	WAR	5/23/05
H05069	b	update	WAR	WAR	07/05



NOTE:

- UNLESS SPECIFIED CHOMERICS STANDARD CUT TO LENGTH TOLERANCES APPLY.
- UNLESS SPECIFIED PRESSURE SENSITIVE ADHESIVE (P.S.A.) TO BE 3M 950 OR EQUIVALENT.
- SEE CHOMERICS 553500 TECHNICAL DATA SHEET FOR PRODUCT SPECIFICATIONS.

CUSTOMER NAME:  
TOOLING:

UNLESS OTHERWISE SPECIFIED, ALL DIMENSIONS ARE IN INCHES [MILLIMETERS].

DO NOT SCALE PRINT	
TOLERANCES UNLESS SPECIFIED FRACTIONAL 2 DIGIT DECIMAL ± .05 3 DIGIT DECIMAL ± .020 ANGULAR .5°	
SCALE NONE	TITLE
SUPERSEDES	PART DRAWING
DRAWN BY W.A.R. 5/9/05	DRAWING NO.
APPROVAL	77-XX-3249-XXXXX
APPROVAL	