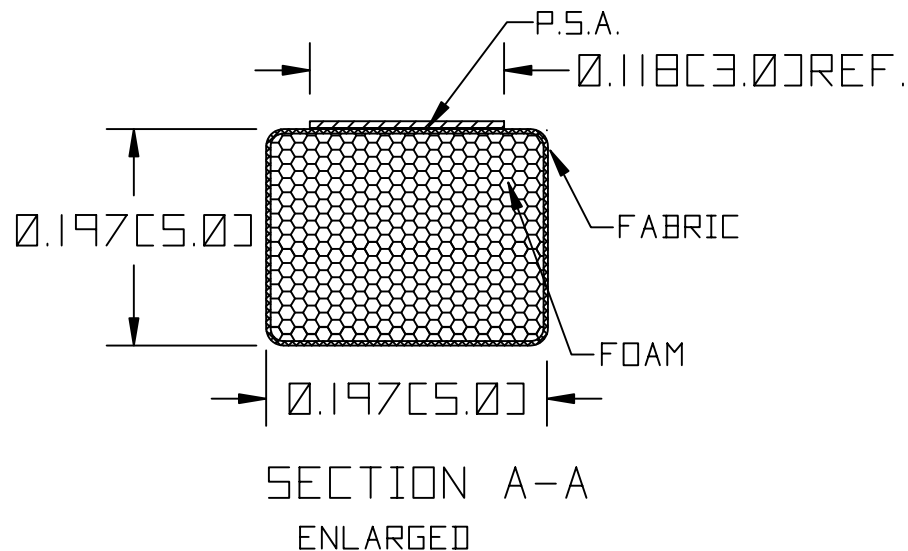
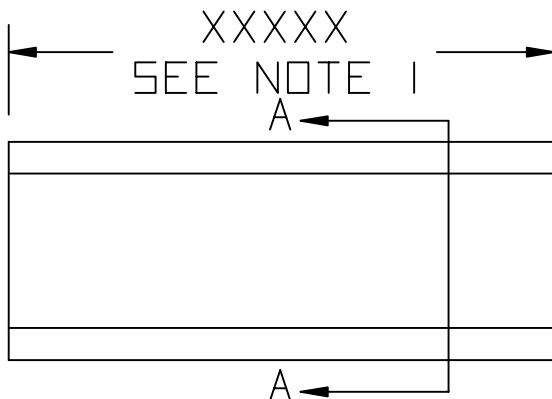


THIS DRAWING AND INFORMATION CONTAINED HEREON ARE THE PROPERTY OF CHOMERICS, AND MUST NOT BE COPIED OR DISCLOSED EITHER WHOLLY OR IN PART WITHOUT WRITTEN PERMISSION OF CHOMERICS.

This design/proposal is provided subject to Chomerics Offer of Sales Terms and Conditions, which are available on line at [www.chomerics.com/salesterms/](http://www.chomerics.com/salesterms/) or can be provided by your Chomerics representative."


| ECN NO. | REV | REVISION           | BY | ENG. | DATE     |
|---------|-----|--------------------|----|------|----------|
| H05065  | A   | ADD RADUIS CORNERS | WR | WR   | 8/23/05  |
| H05069  | B   | UPDATE             | WR | WR   | 10/28/05 |



NOTE:

1. UNLESS SPECIFIED CHOMERICS STANDARD CUT TO LENGTH TOLERANCES APPLY.
2. UNLESS SPECIFIED PRESSURE SENSITIVE ADHESIVE (P.S.A.) TO BE 3M 950 OR EQUIVALENT.
3. SEE CHOMERICS 553500 TECHNICAL DATA SHEET FOR PRODUCT SPECIFICATIONS.

UNLESS OTHERWISE SPECIFIED, ALL DIMENSIONS ARE IN INCHES (MILLIMETERS).

|   |   |
|---|---|
| DO NOT SCALE PRINT  | <br>A Division of Parker Hannifin<br>COMPUTER GENERATED DRAWING DO NOT MAKE MANUAL CHANGES |
| TOLERANCES UNLESS SPECIFIED<br>FRACTIONAL<br>2 DIGIT DECIMAL ± .05<br>3 DIGIT DECIMAL ± .020<br>ANGULAR .5° |   |
| SCALE NONE  | TITLE   |
| SUPERSEDES  | PART DRAWING  |
| DRAWN BY W.A.R. 2/6/03  | DRAWING NO.   |
| APPROVAL  | 77-XX-3113-XXXXX  |
| APPROVAL  |   |

CUSTOMER NAME:  
TOOLING: